



**Sede : via Divisione Cuneense, 48
12010 San Rocco di Bernezzo (CN)
TEL. +39 (0)171-85404 / +39 (0)171-85112
FAX +39 (0)171-687314
P.IVA e C.F. 03019130040
e-mail : info@baggi-lux.com
sito: www.baggiluxtecnica.com**



RILEVATORE OTTICO DI FUMO APO

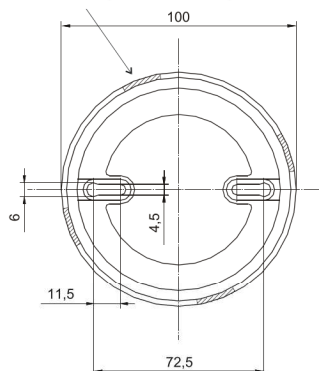
SCHEDA TECNICA



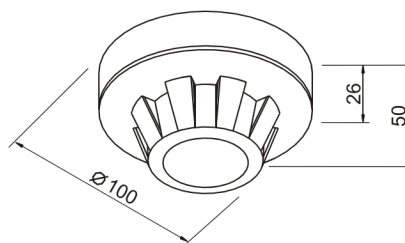
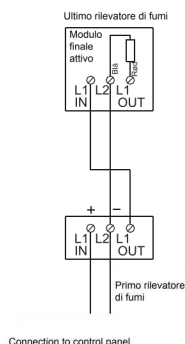
RILEVATORE OTTICO DI FUMO APO

Rilevatore di fumi con segnale luminoso per il rilevamento immediato di incendi. Il rilevatore di fumi è dotato di una base di montaggio e deve essere sempre installato orizzontalmente sotto il soffitto. Se vengono utilizzati dei rilevatori automatici, il modulo finale deve essere smontato dai terminali di connessione 4 e 5 nel WSC 3xx o dai morsetti 15 e 16 nel WSC 4xx, e montati nell'ultimo/unico rilevatore di fumi. Il modulo finale può essere montato solo se i rilevatori di fumi non sono montati. Colore RAL 9010.

TERMINAZIONE DEL CAVO



COLLEGAMENTO ELETTRICO



N. di omologazione: G200017

CARATTERISTICHE

Tensione di collegamento: 24 V CC

Assorbimento di corrente (riposo): 0,1 mA

Colore: bianco

Temperatura di impiego: da -20° a +60° C



36 Brookside Road, Havant,
Hampshire, PO9 1JR, UK

Tel: +44 (0)23 9219 2412
Fax: +44 (0)23 9219 2294

Email: sales@apollo-fire.co.uk
Web: www.apollo-fire.co.uk



**Construction Products Regulation:
305/2011**

**DECLARATION OF PERFORMANCE
No. 0832-CPR-F1025**

1. Unique identification code of the product-type:

55000-316

2. Type, batch or serial number or any other element allowing identification of the construction product as required under Article 11(4) of the CPR:

55000-316 Series 65 Conventional Optical Detector – Flashing LED

To be used in conjunction with the following bases: 45681-200, 45681-201, 45681-245, 45681-246, 45681-247, 45681-248

Each individual product is identified with a label containing a production date code with build standard number

3. Intended use or uses of the construction product, in accordance with the applicable harmonized technical specification, as foreseen by the manufacturer:

Fire detection and fire alarm systems

4. Name, registered trade name or registered trade mark and contact address of the manufacturer as required under Article 11(5):

**Apollo Fire Detectors Ltd,
36 Brookside Road, Havant, Hampshire, PO9 1JR**

5. Where applicable, name and contact address of the authorised representative whose mandate covers the tasks specified in Article 12(2):

**Apollo Fire Detectors Ltd,
36 Brookside Road, Havant, Hampshire, PO9 1JR**

6. System or systems of assessment and verification of constancy of performance of the construction product as set out in CPR, Annex V:

System 1

7. In case of the declaration of performance concerning a construction product covered by a harmonized standard:

BRE Global Limited (Notified Body 0832) has performed type testing of the product, initial inspection of the manufacturing plant and of factory production control with continuous surveillance, assessment and evaluation of factory production control under system 1 and issued the following Certificate of Constancy of Performance:

0832-CPR-F1025

8. In case of the declaration of performance concerning a construction product for which a European Technical Assessment has been issued:

Not applicable

A HALMA COMPANY



Apollo Fire Detectors Ltd. Registered in England No. 1433291
Registered Office: 36 Brookside Road, Havant, Hampshire, PO9 1JR
VAT Registration No. GB339 023204

9. Declared performance

Essential Characteristics	Standard EN54-7:2001 + A1:2002	Performance
Nominal activation conditions/Sensitivity. Response delay (response time) and Performance under fire conditions	4.8, 5.2, 5.3, 5.4, 5.6, 5.7, 5.18	Pass
Operational reliability	4.2 to 4.7, 4.9 to 4.11	Pass
Tolerance to supply voltage	5.5	Pass
Durability of operational reliability and response delay: temperature resistance	5.8, 5.9	Pass
Durability of operational reliability: vibration resistance	5.13 to 5.16	Pass
Durability of operational reliability: humidity resistance	5.10, 5.11	Pass
Durability of operational reliability: corrosion resistance	5.12	Pass
Durability of operational reliability: electrical resistance	5.17	Pass

The performance of the product identified above is in conformity with the performance and essential characteristics declared within this certificate. The declaration of performance is issued under the sole responsibility of Apollo Fire Detectors Limited.

Signed for and on behalf of Apollo Fire Detectors Limited by:



Mr. Karl Westhead
Technical Director

Place and Date of Issue: Havant – **01 June 2016**

